



LED Lighting Function

- Press and hold the 'Light' Button for 2 seconds to turn on or turn off the LED lighting.
- Press and release the 'Light' Button repeatedly until the desired lighting mode is selected. There are 7 lighting modes.

Troubleshooting

| Problem | Solution |
|---|---|
| Unable to turn on the speaker | Please make sure the battery is full and the indicator light is off. |
| Unable to connect to the Bluetooth device | Make sure that the speaker is in Bluetooth mode, and it is within 10 metres from your Bluetooth-enabled device. Ensure that neither the speaker nor the Bluetooth device is connected to other Bluetooth devices. |
| No sound output | Try increasing the volume. |

If the problem still persists, please contact Customer Service for further advice.

Technical Specifications

Power supply: DC 5V, 1A

Power output: 7W

Bluetooth version: 4.2

Bluetooth operation distance: 10m

Battery capacity: 2500mAh

Playing time: About 3 hours when the LED light is off

About 2 hours when the LED light is on

Battery charging time: About 6 hours

Battery Charging

- Charge the speaker fully before using it for the first time.
- Use DC 5V 1A power adaptor to charge the unit or connect it to the USB output port of a computer or similar. The red LED indicator light flickers during charging.
- When fully charged, the red LED indicator turns off. Remove the charging cable promptly.
- It takes about 6 hours to fully charge the battery.

Turning the Speaker On/Off

Press and hold the 'Power' Button to turn on or turn off the unit.

Bluetooth Connection:

- Place the speaker within 10 metres (max. Bluetooth range) of your Bluetooth enabled device.
- Press 'Mode' Button to switch to Bluetooth mode.
- Enable Bluetooth function on your Bluetooth enabled smartphone, tablet or media player; navigate to the Bluetooth setting menu, and search for new devices. The Bluetooth name for this speaker is 'Aiwa ABT-500'. You will hear an audio indicator when pairing is successful.
- Press and release 'Previous' or 'Next' Button to play the previous or next song.
- Press and hold the 'Volume +/-' Buttons to adjust the volume.

FM Radio Playback:

- Connect the DC cable (USB charging cable) to the unit as the FM antenna.
- Press the 'Mode' Button to switch to FM Radio mode.
- Press the 'Play/Pause' Button to search for available FM channels automatically. Once the search is completed, the speaker will store the channels automatically.
- To stop automatic search, press the 'Play/Pause' Button again.
- Press the 'Previous' or 'Next' Buttons to switch between the channels.

USB/microSD/AUX Input:

Connect a USB/microSD memory device, or an AUX cable connected to your device, to the appropriate port. If the speaker doesn't start playing the selected audio directly, use the 'Mode' Button to switch to the correct mode.

Note:

- Only mp3 and wma formats are compatible.
- Maximum size of the USB/ microSD device that can be connected is 32GB.

Important Safety Instructions

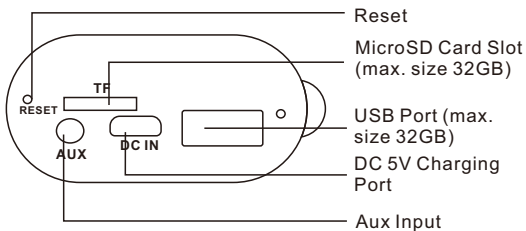
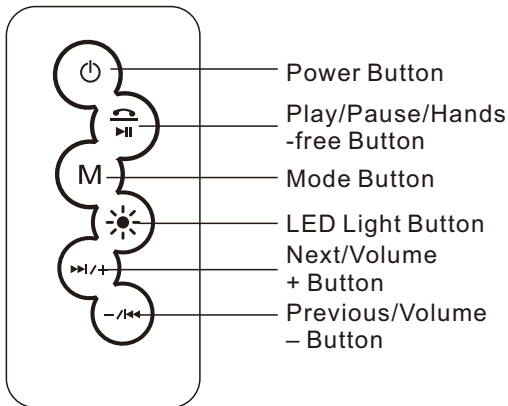
Warning: To prevent fire or shock hazard, do not expose the unit to rain or moisture. To avoid electrical shock, do not dismantle. Refer all servicing to qualified service personnel.

1. Read these instructions thoroughly and retain for future reference.
2. When using electrical appliances, basic safety precautions should always be followed.
3. This appliance is not intended for use by persons (including children) with reduced physical, sensory or mental capabilities, or lack of experience and knowledge, unless they have been given supervision or instruction concerning use of the appliance by a person responsible for their safety.
4. This product is not a toy! Children should be supervised to ensure that they do not play with the appliance.
5. Any repairs must be done by qualified service personnel. There are no user-serviceable parts inside. Do not attempt to repair by yourself.
6. Do not expose this speaker to water, corrosive liquids or gases. Store the speaker in a clean, dry place.
7. Keep the unit free from dust and away from heat sources, direct sunlight, humidity, water or other liquids.
8. Do not immerse the unit in water or other liquids.
9. Do not place any naked flame sources such as lit candles on or near the speaker.
10. Clean only with a soft, dry cloth.
11. Do not cover the speaker during use.
12. Do not operate the unit if it has been exposed to water, moisture or any other liquid in order to prevent electric shock, explosion and /or injury to yourself and damage to the unit.
13. Do not use the unit for anything other than its intended use.
14. Do not play music at excessive volume levels as this can cause hearing loss or damage the unit.
15. Unplug the adaptor after the unit has been used, before it is cleaned and whilst being repaired.

Box Contents

- 1 x Bluetooth Speaker
- 1 x Instruction Manual (this document)
- 1 x USB Charging Cable
- 1 x AUX 3.5mm Audio Cable

Overview



| | | |
|---|---------------------------|--|
| 1 | Power | Press and hold the Power Button to turn on or turn off the unit. |
| 2 | Play/Pause/ Hands-free | Play/pause: Press to start playing or to pause play Hands-free: When connected to a mobile phone via Bluetooth, press this button when a call comes for hands-free function. In FM radio mode, press this button to automatically search for FM channels. Press it again to stop searching. |
| 3 | Mode | Press this button to switch between BT / USB /micro SD /Aux /FM radio mode. Note: USB/ micro SD/Aux modes are available only when devices are connected to the corresponding inputs. For example, when only a USB device is connected, the unit switches between BT/ USB/ FM modes. |
| 4 | LED Light Button | Press and hold the LED Light Button for 2 seconds to turn on or turn off the LED Lighting mode. Press and release it repeatedly to switch between the 7 different lighting modes. |
| 5 | Previous / Volume - | Previous: Press to return to the previous track/ previous FM channel. Volume -: Press and hold to reduce the volume. |
| 6 | Next / Volume + | Next: Press to skip to the next track/ next FM channel. Volume +: Press and hold to increase the volume. |